

MXA-82 FrSky 7Ch Bare Board



www.micronwings.com

The MXA-82 for FRSky radios combines light-weight with a full array of 7 channels. The board also has an incorporated bind button for ease of use.

Solder pads are supplied for the signal wire of each of the 7 channels. Pos and Neg are common for all servos so the Positive and Negative of each servo need to come direct from the battery or from the common connection pads.

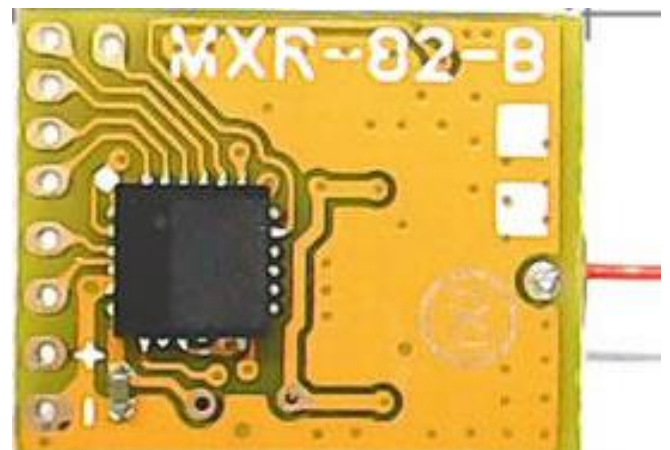
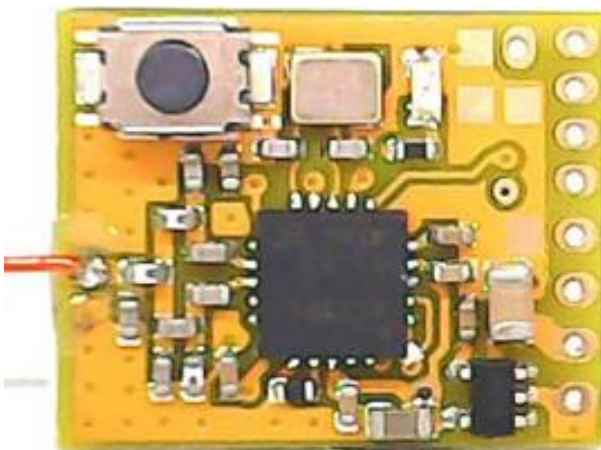
No on-board brushed ESC is included so for brushed motors a separate brushless controller is needed.



Top



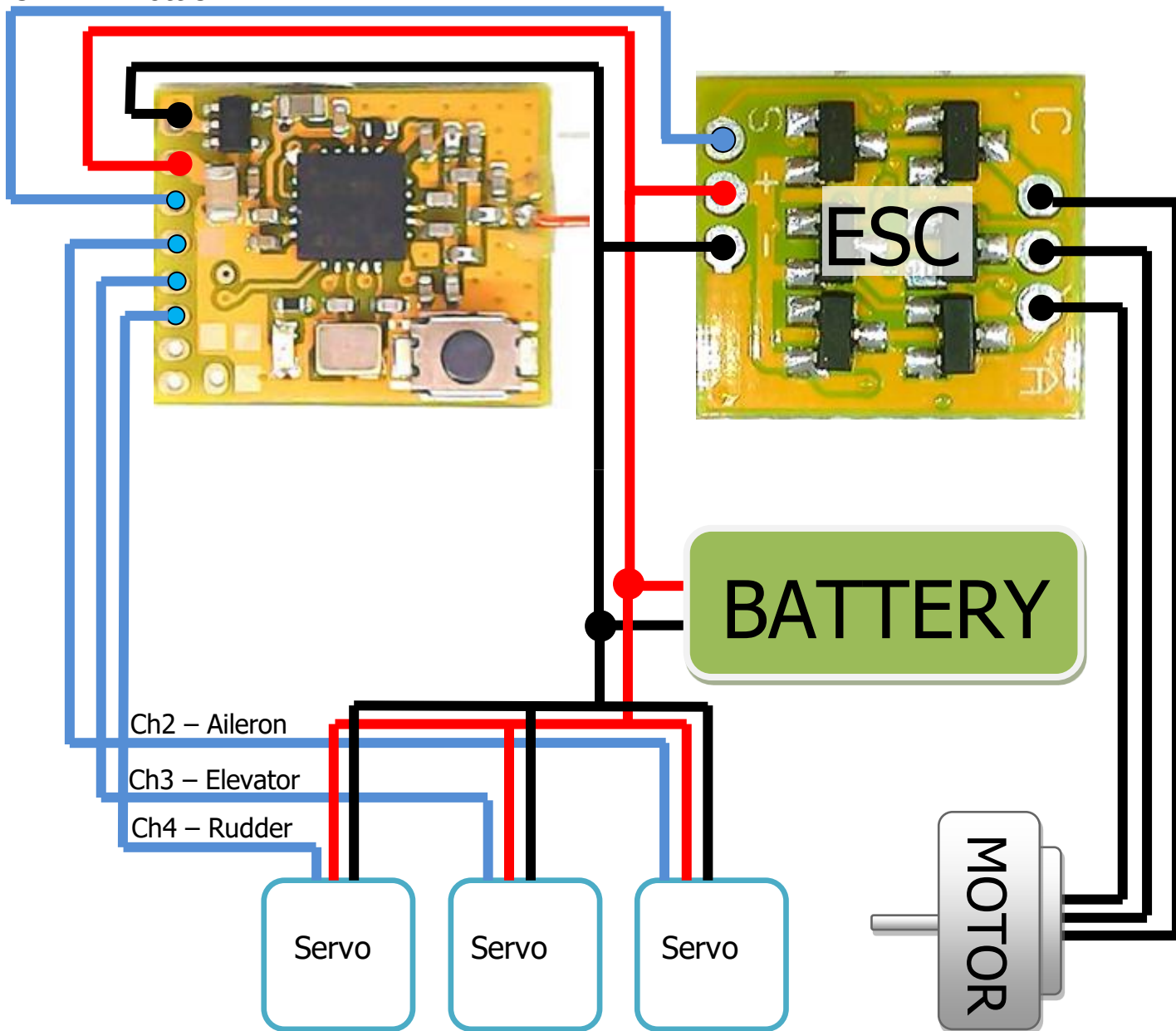
Bottom



Example Wiring Configuration

(for brushless motor setup with 4 channels)

Ch1 – Throttle



Binding Process

1. Press the BIND button for 2 seconds on the receiver after the unit has been powered on. The receiver will enter bind mode (the slow blinking LED turns to a fast blinking LED)

2. Turn your transmitter on and put it into bind mode (refer to your transmitter manual). When binding is successful, the fast blinking LED on the receiver will turn to a slow blinking LED and then to a solid light as soon as a verified connection has been formed with the transmitter.

Copyright © MicronWings 2014: All rights reserved.

This manual is for personal use only. No unauthorized copying or digital distributing permitted.