

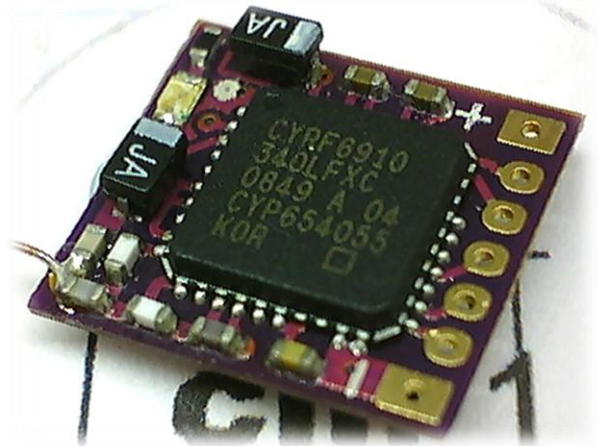
Receiver Origin Mi-RX52S



www.micronwings.com

The MI-Rx52S is a DSM2 Compatible 5 channel micro receiver for servos. It's light weight makes it perfect for the professional builder who wants to save weight and yet still have the full functionality of a servo based system with the additional advantage of having a 5th channel.

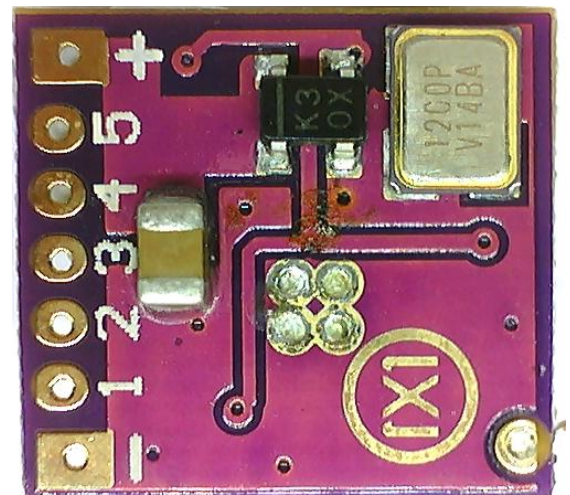
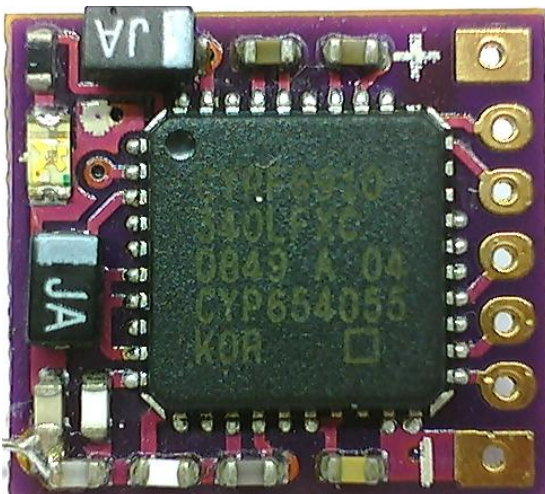
This receiver has no onboard brushed ESC so the signal from the throttle pad needs to be used to power an external brushed or brushless ESC. The board also has signal output only, so positive and negative power for servos needs to be taken directly from the power supply.



Top



Bottom

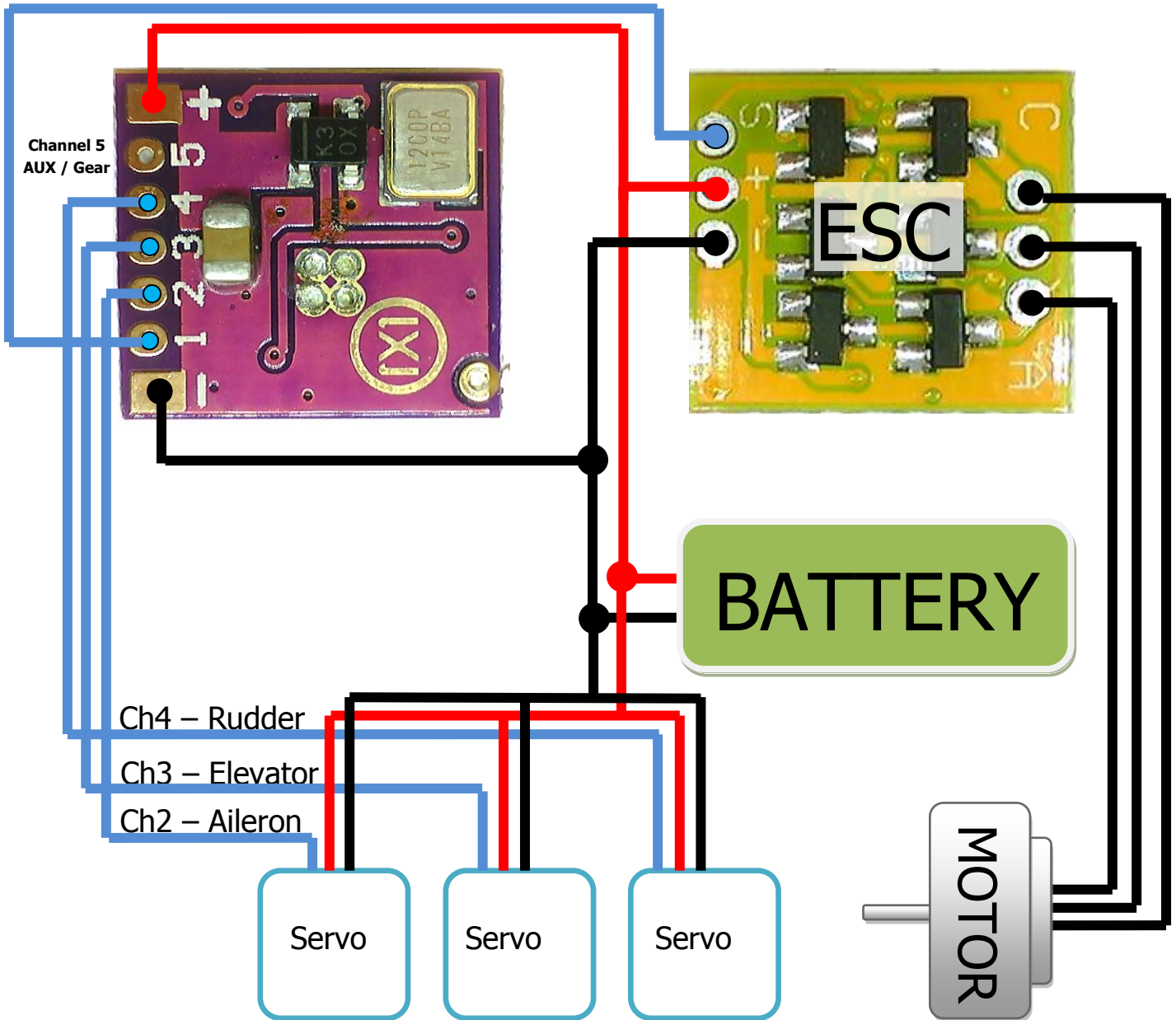


On the bottom of the board, the pads for Pos and Neg power connection as well as servo signal wire connection are clearly marked.

See next page for a sample wiring configuration.

Example Wiring Configuration

Ch1 – Throttle



Binding Process

1. Turn the transmitter off and connect power to the receiver.
2. Wait for the blue light on the receiver to flash faster.
3. Enable bind mode on your transmitter or turn your transmitter on while holding the bind switch.
3. The blue light on the Receiver will blink slowly and then stay on.